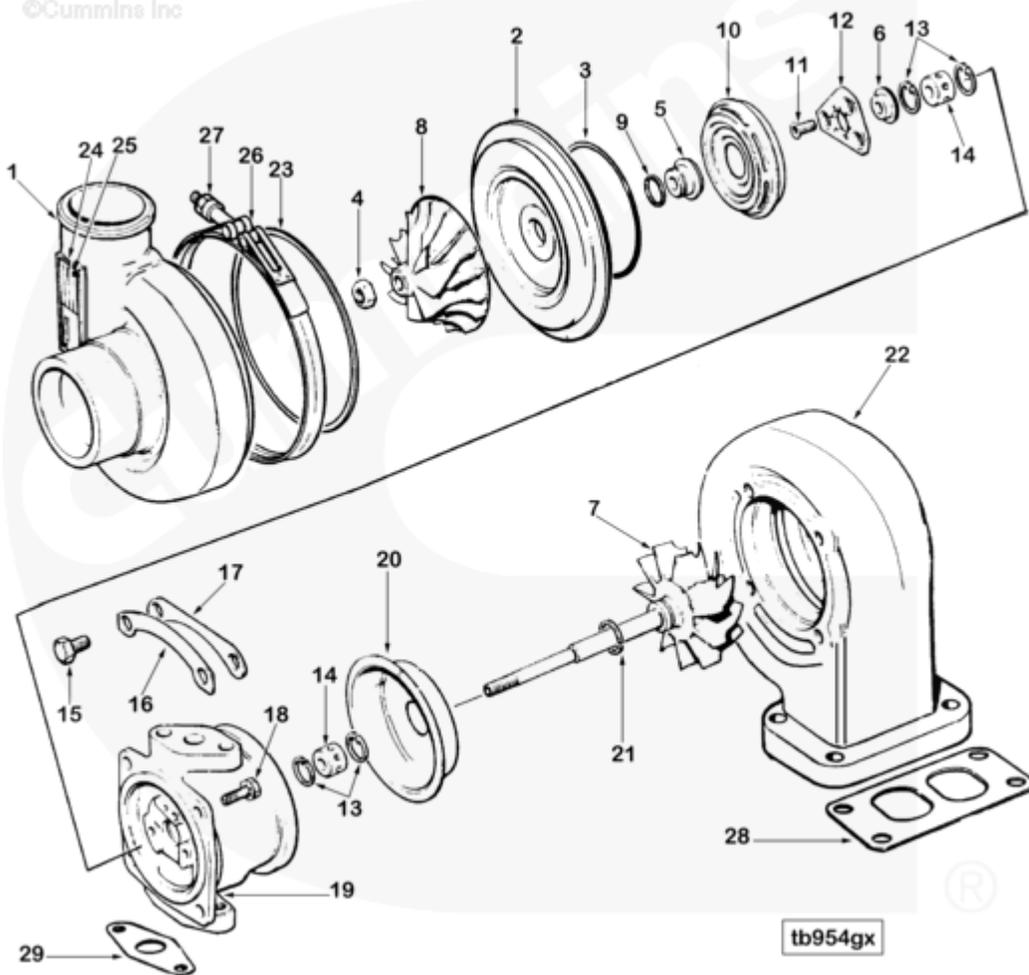




Parts Catalog - Option Detail

Electronic Parts Catalog - Option Detail				
Option	Group	Graphic	Film Card	Date
PP9734-02	10.06	tb954gx	Z	09-SEP-95
Engines	6C8.3, C GAS PLUS CM556, G8.3, G8.3 CM558, GTA8.3 CM558, ISC CM2150, ISC CM554, ISC CM850, ISC8.3 CM2250, ISC8.3 G CM2180 C101, ISL CM2150, ISL CM554, ISL CM850, ISL G CM2180, ISL8.9 CM2150 L110, ISL8.9 CM2880 L112, ISL9 CM2150 SN, ISL9 CM2250, ISL9 CM2350 L101, ISL9 CM2350 L111, ISLE4 CM850, L GAS PLUS CM556, L8.9, L8.9 L121, L8.9G CMOH2.0 L125B, L9 CM2350 L116B, L9 CM2350 L119B, L9 CM2350 L120C, L9 CM2350 L123B, L9.3 L105, L9.5 L117, L9N CM2380 L124B, QSC8.3 CM2250, QSC8.3 CM2880 C102, QSC8.3 CM554, QSC8.3 CM850(CM2850), QSL9 CM2250, QSL9 CM2250 L115, QSL9 CM2350 L102, QSL9 CM2350 L107, QSL9 CM2350 L118, QSL9 CM2350 L122, QSL9 CM554, QSL9 CM850(CM2850), QSL9 G CM558, QSL9 M CM2250 L106, QSL9.3 CM2880 L113			



[SMALL](#) | [MEDIUM](#) | [LARGE](#)

Cart	Ref No	Part Number	Part Description	Required	Remarks
View My Cart					
		PP9734-02	Turbocharger		

<input type="checkbox"/>		3802303	Turbocharger Kit	1	Recon Equivalent 3802303 RX
		3524034	Turbocharger	1	
<input type="checkbox"/>	1	3521693	Compressor Housing	1	
<input type="checkbox"/>	2	3522801	Turbocharger Diffuser	1	
<input type="checkbox"/>	3	3502449	Rectangular Ring Seal	1	
<input type="checkbox"/>		3545527	Rotor Assembly	1	
<input type="checkbox"/>	4	3503562	Lock Nut	1	M7 x 1.00
<input type="checkbox"/>	5	3503662	Oil Slinger	1	
<input type="checkbox"/>	6	3518980	Thrust Collar	1	
<input type="checkbox"/>	7	3522880	Shaft And Wheel	1	
<input type="checkbox"/>	8	3521709	Turbocharger Compressor Impeller	1	
<input type="checkbox"/>	9	3758848	Split Ring Seal	1	
<input type="checkbox"/>	10	3503668	Oil Baffle	1	
<input type="checkbox"/>	11	3503347	Flat Head Cap Screw	3	M5 x 0.80 x 16
<input type="checkbox"/>	12	3525739	Turbocharger Thrust Bearing	1	
<input type="checkbox"/>	13	3762259	Retaining Ring	4	
<input type="checkbox"/>	14	3503100	Turbocharger Bearing	2	
<input type="checkbox"/>	15	3759917	Hexagon Head Set Screw	4	M8 X 1.25 X 12.
<input type="checkbox"/>	17	3501188	Clamping Plate	2	
<input type="checkbox"/>	18	3527184	Hexagon Flange Head Cap Screw	4	
<input type="checkbox"/>	19	3520702	Turbocharger Bearing Housing	1	
<input type="checkbox"/>	20	3519302	Turbocharger Heat Shield	1	
<input type="checkbox"/>	21	3756754	Split Ring Seal	1	
	22	3528206	Turbocharger Bearing Housing	1	
<input type="checkbox"/>	23	3523958	O-Ring Seal	1	
<input type="checkbox"/>	24	3525562	Dataplate	1	
<input type="checkbox"/>	25	3519163	Drive Screw	2	
<input type="checkbox"/>	26	3521832	V Band Clamp	1	Serviced as 3803431
<input type="checkbox"/>	27	3503335	Regular Hexagon Nut	1	

<input type="checkbox"/>	28	3911941	Turbocharger Gasket	1	
<input type="checkbox"/>	29	3914388	Oil Drain Gasket	1	Holset P/N 3519807
<input type="checkbox"/>		3802149	Turbocharger Repair Kit	1	
<input type="checkbox"/>		3545652	Kit , Turbocharger Repair H1c-H2a	1	
<input type="checkbox"/>	3	3502449	Rectangular Ring Seal	1	
<input type="checkbox"/>	9	3758848	Split Ring Seal	1	
<input type="checkbox"/>	11	3503347	Flat Head Cap Screw	3	M5 x 0.80 x 16
<input type="checkbox"/>	12	3525739	Turbocharger Thrust Bearing	1	
<input type="checkbox"/>	13	3762259	Retaining Ring	4	
<input type="checkbox"/>	14	3503100	Turbocharger Bearing	2	
<input type="checkbox"/>	15	3759917	Hexagon Head Set Screw	4	M8 X 1.25 X 12.
<input type="checkbox"/>	16	3501102	Lock Plate	2	
<input type="checkbox"/>	18	3527184	Hexagon Flange Head Cap Screw	4	
<input type="checkbox"/>	21	3756754	Split Ring Seal	1	
		3518004	Lock Washer	1	M6
		3545575	Turbocharger Gasket Kit	1	
<input type="checkbox"/>	28	3911941	Turbocharger Gasket	1	
<input type="checkbox"/>	29	3914388	Oil Drain Gasket	1	Holset P/N 3519807